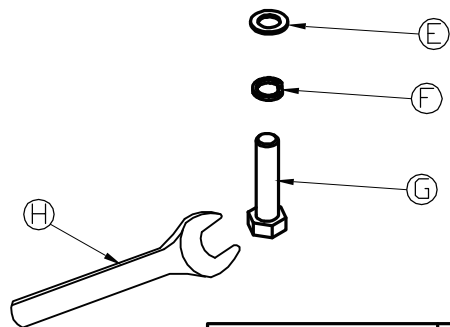
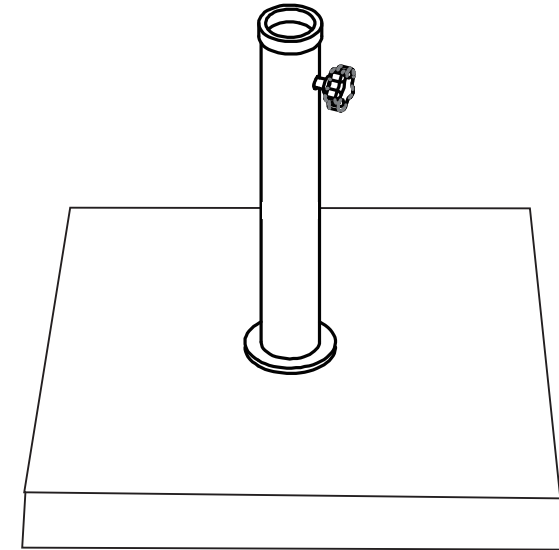
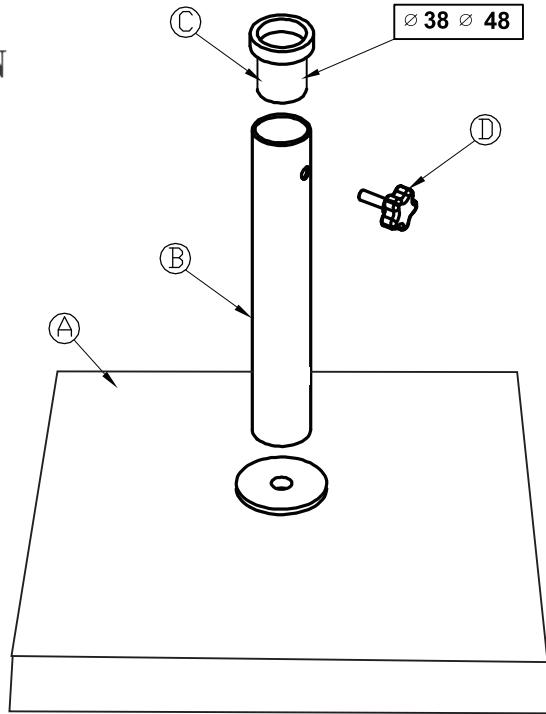












**PURE GARDEN**

PATIO AND GARDEN ESSENTIALS

# 44 Pound Market Umbrella Weight



<b>(A)</b> 	<b>(B)</b>  x1	<b>(C)</b>  x1SET	<b>(D)</b>  x1	<b>(E)</b>  x1	<b>(F)</b>  x1	<b>(G)</b>  x1	<b>(H)</b>  x1
---	---	--	---	---	---	---	---

Customer Service

Contact us through our website:  
[www.TeamCustomerService.com](http://www.TeamCustomerService.com)  
If you have a question about assembly, use or a possible missing part,  
Please contact us and we will be glad to assist you.